

Night-Nemesis & X12 Programming Guide - Rev 2

KEY

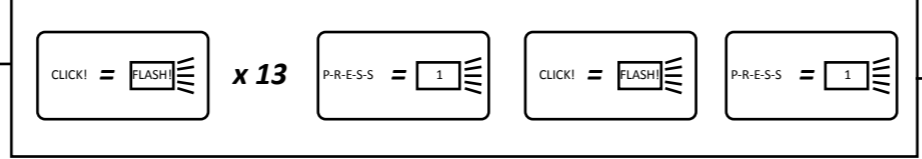
INPUTS

- CLICK! Click Switch for < 0.3 SECS
- P-R-E-S-S Press Switch > 0.5 SECS
- HOLD Hold Switch Until Response
- Connect the battery cable
- Disconnect the battery cable

OUTPUTS

- 0 LEDs Off
- 1 Very Low
- 2 Low
- 3 Medium
- 4 High
- 5 Very High
- 6 Extremely High
- FLASH! LEDs Flash ON

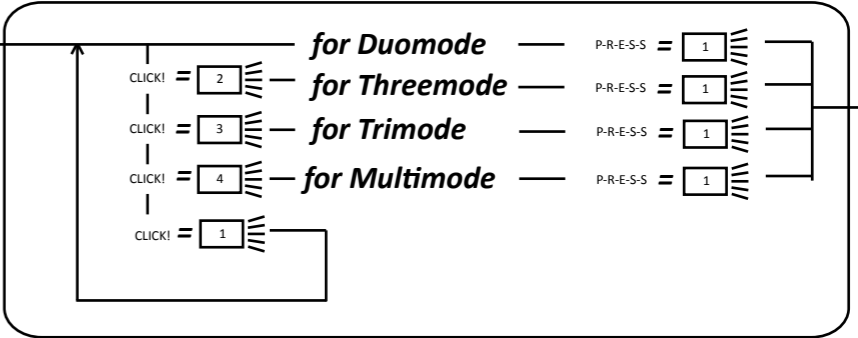
For Light Modes - Select Menu Option 13, Sub-Menu 1



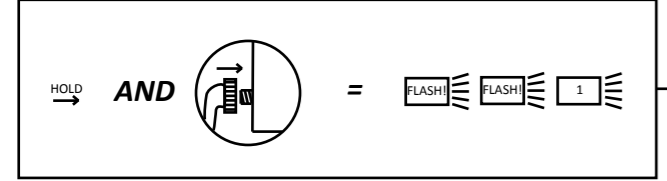
Which Light Mode do you want?

- a. Duomode
- b. Threemode (default)
- c. Trimode
- d. Multimode

To Select and Save Light Modes



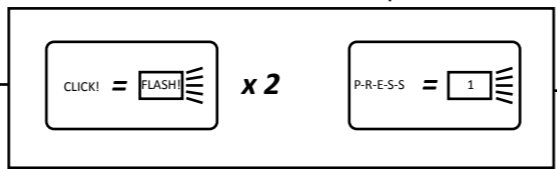
To enter Programming Mode



What do you want to change?

- a. Light Modes
- b. Power Tables
- c. Mode Levels

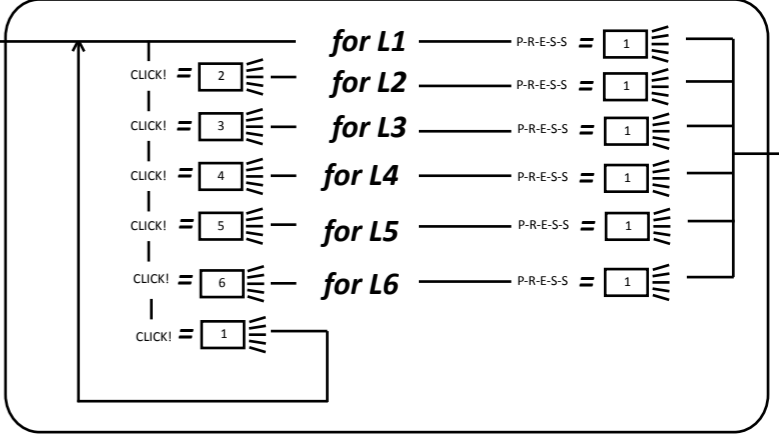
For Power Tables - Select Menu Option 2



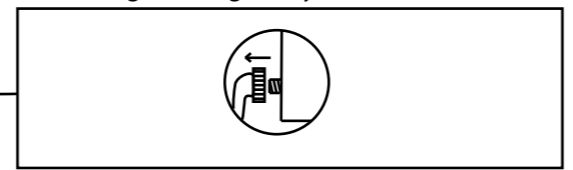
Which Power Level do you want?

- a. Power Level 1
- b. Power Level 2
- c. Power Level 3
- d. Power Level 4 (default)
- e. Power Level 5
- f. Power Level 6

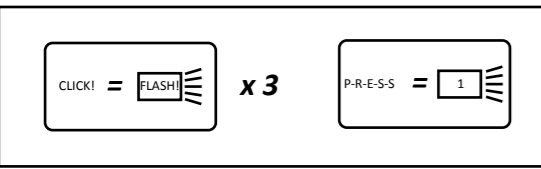
To Select and Save Power Tables



To Exit Programming at any time - Disconnect Battery



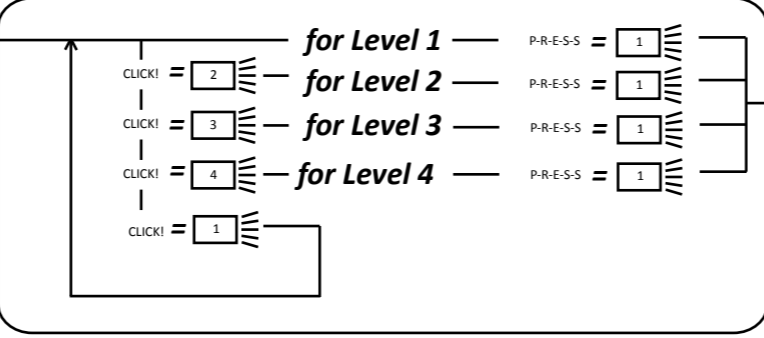
For Mode Levels - Select Menu Option 3



Which Low Level do you want?

- a. Level 1 (default)
- b. Level 2
- c. Level 3
- d. Level 4

To Select and Save Low Level

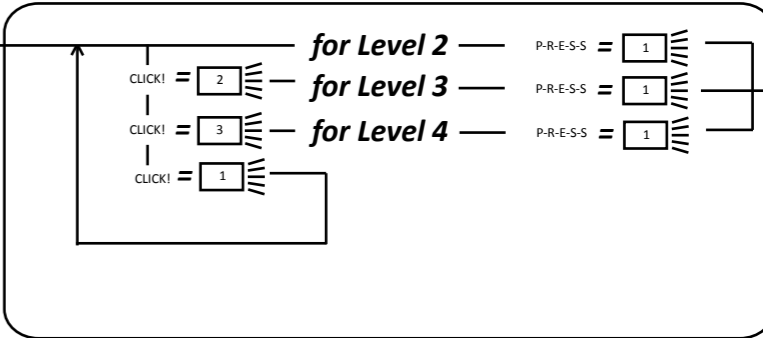


Only Valid for Trimode & Threemode

Which Mid Level do you want?

- a. Level 2
- b. Level 3 (default)
- c. Level 4

To Select and Save Mid Level



IF Duomode